

- **BELT WIDTHS**

Belle Banne PHS (High Speed) belt cleaner is suitable for all belt widths from 450mm - 3000mm.

- **DIRECTION**

The Belle Banne PHS belt cleaner is suitable for reversing belt applications where the belt travels backwards (such as trippers), however it is not suitable for belts where the material flows in both directions.

- **HEAVY DUTY CONSTRUCTION**

Belle Banne cleaner poles are the strongest around. All poles are schedule 80 material, ensuring they are fit for tough mining applications.

- **STAINLESS STEEL**

Belle Banne cleaners are available in either powder coated mild steel, or 304 stainless steel. 316 grade available on request.

**CONTACT US**

Mail: PO Box 403 Ingleburn NSW 1890  
 Address: 7 Phiney Place Ingleburn NSW 2565  
 Phone: + 61 2 9618 9400  
 Email: info@bbcp.com.au



[www.bbcp.com.au](http://www.bbcp.com.au)  
[www.facebook.com/BBConveyorProducts](https://www.facebook.com/BBConveyorProducts)

ABN 12 137 362 497

## PHS (P High Speed) Belt Cleaner



Cleaner is designed to be positioned on a flat, stable section of belt, in close proximity to the head pulley or a flat return and/or hold-down roller. It is typically referred to as a “secondary” cleaner, as it is usually installed in conjunction with a “primary” belt cleaner that is located at the material discharge point. The PHS Belt Cleaner comprises a pair of side assemblies, a pole, and a series of “blades”, each comprising a rubber cushion and a tip. The blades are 150mm wide.

The side assemblies can be either the standard Bolt Tensioner (BT), a Secondary Spring Tensioner (SST), an Inverted Secondary Spring Tensioner (SST-I) or a Hydraulic Autonomous Tensioner. Tip tension is stored in the rubber cushions, and also in the springs when using a SST or SST-I. When using a Hydraulic Autonomous Tensioner the tension is also stored in the hydraulic system.

PHS Belt Cleaners can handle reversing belt applications where the belt travels backwards (such as trippers), however they are not suitable for belts where the material flows in both directions.

For more challenging applications, multiple PHS Belt Cleaners can be installed in close series.

- 3 different tip sizes available 10, 15 and 25mm to suit different maintenance schedules
- 3 different tensioner types available (bolt, spring & hydraulic)
- Tried and tested cushion design
- Cost effective due to cushion and tip life consistency
- Suitable for high speed belts and abrasive materials
- Can be installed where there is limited room and in difficult applications
- High quality standard components

# PHS Belt Cleaner Ordering Information

Belt (mm)	Pole Diam (mm)	MILD STEEL		STAINLESS STEEL		Wgt (kgs)
		Item Code	Ordering Number	Item Code	Ordering Number	
450	73	120201	PHS-450SST	125201	PHS-450SST-304	39
600	73	120202	PHS-600SST	125202	PHS-600SST-304	44
750	73	120203	PHS-750SST	125203	PHS-750SST-304	49
900	73	120204	PHS-900SST	125204	PHS-900SST-304	54
1050	73	120205	PHS-1050SST	125205	PHS-1050SST-304	58
1200	73	120206	PHS-1200SST	125206	PHS-1200SST-304	64
1400	73	120207	PHS-1400SST	125207	PHS-1400SST-304	69
1500	73	120208	PHS-1500SST	125208	PHS-1500SST-304	73
1800	73B	120209	PHS-1800SST	125209	PHS-1800SST-304	83
2100	73B	120210	PHS-2100SST	125210	PHS-2100SST-304	95
2500	73B	120211	PHS-2500SST	125211	PHS-2500SST-304	103
3000	73B	120212	PHS-3000SST	125212	PHS-3000SST-304	113

### WHERE IS IT USED?

- Coal
- Iron ore
- Hard rock
- Heavy metals
- Sand and gravel
- Recycling
- Steel mills
- Power gen

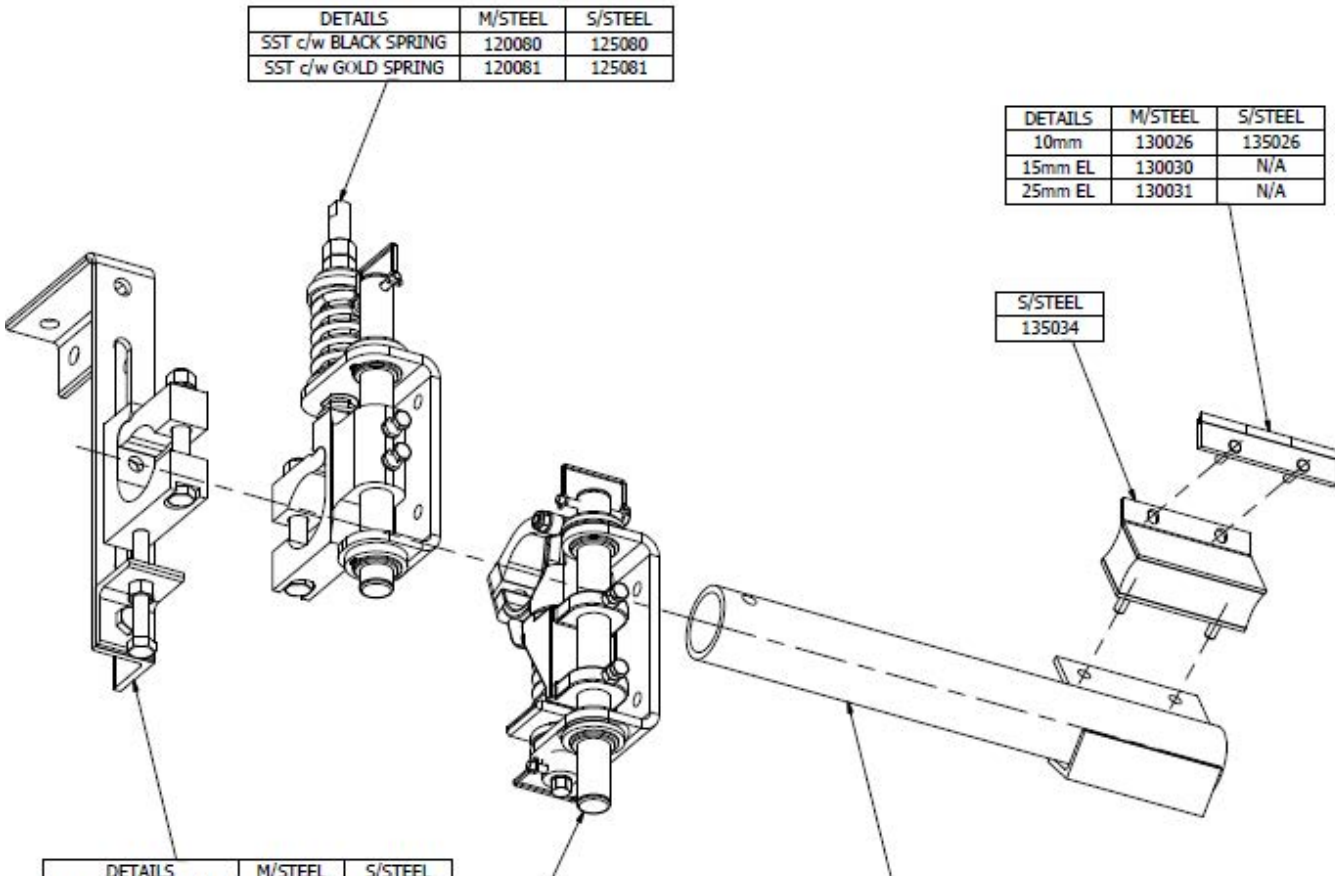
The Belle Banne PHS belt cleaner can remove up to 97% of your carry back when teamed with a Belle Banne primary cleaner – ask us how.

Ask us about the introduction of water to your cleaning systems and the use of our spray systems to further improve your belt cleaning results.

**“GREEN MEANS CLEAN”**

# PHS Belt Cleaner

## Detailed Ordering Information



The diagram shows an exploded view of the PHS Belt Cleaner assembly. Key components include the SST (Scraper Tip Support Tool) with different spring options, a Bolt Tensioner (BT), and rollers. The SST is shown in two configurations: one with a black spring and one with a gold spring. The Bolt Tensioner is shown in two configurations: one with a black spring and one with a gold spring. The rollers are shown in three configurations: 10mm, 15mm EL, and 25mm EL. The S/STEEL part number 135034 is also indicated.

DETAILS	M/STEEL	S/STEEL
SST c/w BLACK SPRING	120080	125080
SST c/w GOLD SPRING	120081	125081

DETAILS	M/STEEL	S/STEEL
10mm	130026	135026
15mm EL	130030	N/A
25mm EL	130031	N/A

S/STEEL
135034

DETAILS	M/STEEL	S/STEEL
BOLT TENSIONER (BT)	120032	125032

DETAILS	M/STEEL	S/STEEL
SST-I c/w BLACK SPRING	120090	125090
SST-I c/w GOLD SPRING	120091	125091

BELT WIDTH	POLE LENGTH	M/STEEL	S/STEEL
450	1450	120073	125073
600	1600	120074	125074
750	1750	120075	125075
900	1900	120076	125076
1050	2050	120077	125077
1200	2600	120078	125078
1400	2800	120079	125079
1500	2900	120020	125020
1800	3200	120021	125021
2100	3500	120022	125022
2500	3900	120023	125023
3000	4400	120024	125024

PHS SST c/w 10mm TIPS		
BELT WIDTH	M/STEEL	S/STEEL
450	120101	125101
600	120102	125102
750	120103	125103
900	120104	125104
1050	120105	125105
1200	120106	125106
1400	120107	125107
1500	120108	125108
1800	120109	125109
2100	120110	125110
2500	120111	125111
3000	120112	125112

PHS SST c/w 15mm EL TIPS		
BEL WIDTH	M/STEEL	S/STEEL
450	120121	125121
600	120122	125122
750	120123	125123
900	120124	125124
1050	120125	125125
1200	120126	125126
1400	120127	125127
1500	120128	125128
1800	120129	125129
2100	120130	125130
2500	120131	125131
3000	120132	125132